



# HMI

Side dump trailer 3444/3466



Contact Dakota for further specification or applications.

**1-800-424-3443**

Email: [sales@dakotapeat.com](mailto:sales@dakotapeat.com)

Web-Site: [www.HMItrailers.com](http://www.HMItrailers.com)

# HMI

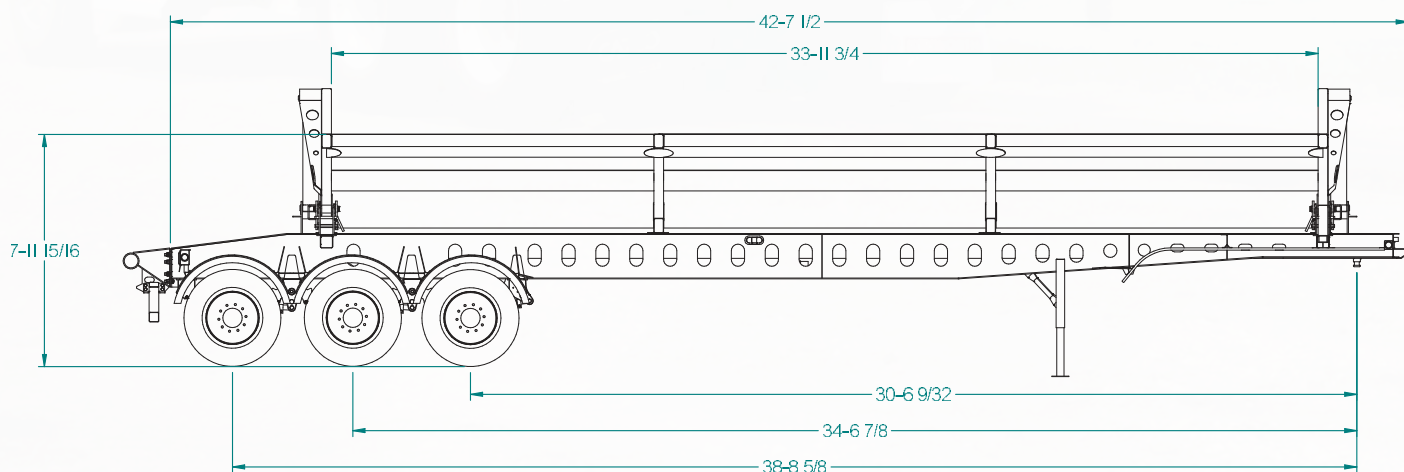
## Side dump trailer 3444/3466

### Specifications:

1/4 " AR400 Steel  
Tub Length – 34'  
Suspension – Hutch 9700  
Axles – 25,000 lbs.  
Hoist – 6" cylinder  
45 degree dump angle  
Greaseless pivot bushings  
Push Bumper  
Drive Under protection bumper  
Hoist Control Valve on trailer with manual override  
Torque Tube

### Options:

- 2 and 3 axle configuration
- Air Ride
- Tarp
- Lift Axle
- 2 speed landing gear
- 3/16" AR400 steel



### Hawkes MFG INC.

833 Gateway Dr. NE  
East Grand Forks, MN 56721  
218-773-4247