

DAKOTA™ MINI BLENDER ILLUSTRATED PARTS MANUAL

INTRODUCTION

To ensure optimum performance and safety, always purchase genuine **DAKOTA** replacement parts and accessories. NEVER USE “WILL-FIT” REPLACEMENT PARTS AND ACCESSORIES MADE BY OTHER MANUFACTURERS. Using either inappropriate or unapproved replacement parts and accessories may result in progressive damage to the product and voids the warranty.

This manual provides a listing to the parts and assemblies that are available as replacement parts. For the most part, common hardware is not listed in this manual. Be sure, however, that when replacement of hardware is necessary, to replace with the same length, diameter, and grade.

The illustrations used in this Parts manual are for reference to replacement parts only. This manual is not to be used for assembly. If in need of replacement parts or in need of a replacement part not called out in this manual, contact an authorized Dakota dealer. To locate a local dealer, go to www.dakotapeat.com.

TABLE OF CONTENTS

Main Assembly	3
Cradle	4
Hopper	5
Indicator	6
Mixer	7
Auger	8

WARRANTY

DAKOTA PEAT & EQUIPMENT is hereinafter called DAKOTA™.

(A) Warranty.

DAKOTA™ warrants all products manufactured by it to be free from defects in material and manufacture at the time of shipment and for twelve (12) months from date of delivery to customer. DAKOTA™ will furnish to the dealer, without charge, f.o.b. East Grand Forks, Minnesota, replacements for such parts as DAKOTA™ finds to have been defective at the time of shipment; or at DAKOTA™'s option, will make or authorize repairs to such parts, provided that, upon request, such parts are returned, transportation prepaid, to the factory at East Grand Forks, Minnesota.

This warranty shall not apply to any product that has been subjected to misuse, misapplication, neglect (including but not limited to improper maintenance), accident, improper installation, modification (including but not limited to use of unauthorized parts or attachments), adjustment, or repair. Engines, motors, and any accessories furnished with DAKOTA™'s products, but which are not manufactured by DAKOTA™, are not warranted by DAKOTA™ but are sold only with the express warranty, if any, of the manufacturers thereof. **THE FOREGOING IS IN LIEU OF ALL OTHER WARRANTIES, WHETHER EXPRESS OR IMPLIED (INCLUDING THOSE OF MERCHANTABILITY AND FITNESS OF ANY PRODUCT FOR A PARTICULAR PURPOSE), AND OF ANY OTHER OBLIGATION OF LIABILITY ON THE PART OF DAKOTA.**

(B) Limitation of Liability.

It is expressly understood that DAKOTA™'s liability for its products, whether due to breach of warranty, negligence, strict liability, or otherwise, is limited to the furnishing of such replacement parts, and DAKOTA™ will not be liable for any other injury, loss, damage, or expense, whether direct or consequential, including but not limited to loss of use, income, profit, or production, or increased cost of operation, or spoilage of or damage to material, arising in connection with the sale, installation, use, or inability to use, or the repair or replacement of, DAKOTA™'s products.

Any operation expressly prohibited in the operating instructions or manuals furnished with the machine, or any adjustment, or assembly procedure not recommended or authorized in the operating or service instructions shall void such warranty.

(C) Registration.

THIS WARRANTY IS VOID UNLESS YOUR DEALER COMPLETED AND RETURNED A “NEW PRODUCT REGISTRATION AND WARRANTY” CARD TO DAKOTA™ WITHIN 30 DAYS AFTER DELIVERY OF UNIT TO CUSTOMER.

No Parts shall be returned under warranty unless a Return Goods Authorization (RGA) is obtained from DAKOTA™.

ALWAYS GIVE PART NAME, NUMBER AND MACHINE SERIAL NUMBER WHEN ORDERING PARTS.

NOTE: DAKOTA reserves the right to make changes to design or construction without obligation to incorporate such changes in equipment previously sold.

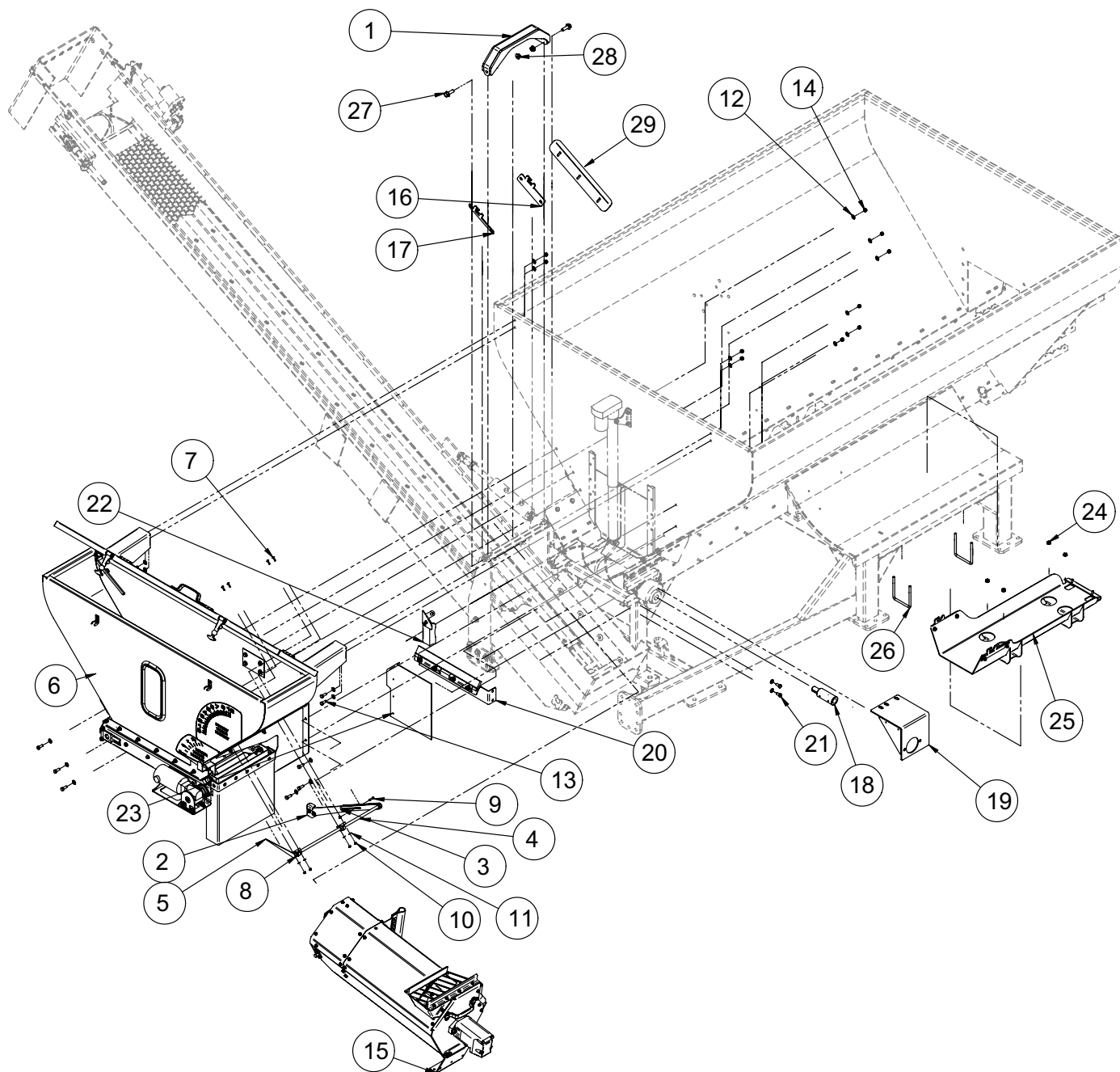
The tire manufacturer's warranty supplied with your Dakota product may not apply outside the U.S.

YOUR DEALER IS RESPONSIBLE FOR COMPLETION OF THE PRODUCT REGISTRATION CARD AND RETURNING IT TO DAKOTA AS SOON AS YOU TAKE DELIVERY OF YOUR SOILMOVER.

D) Parts, Service, and Warranty

Contact your local dealer for parts, service, and warranty.

MAIN ASSEMBLY

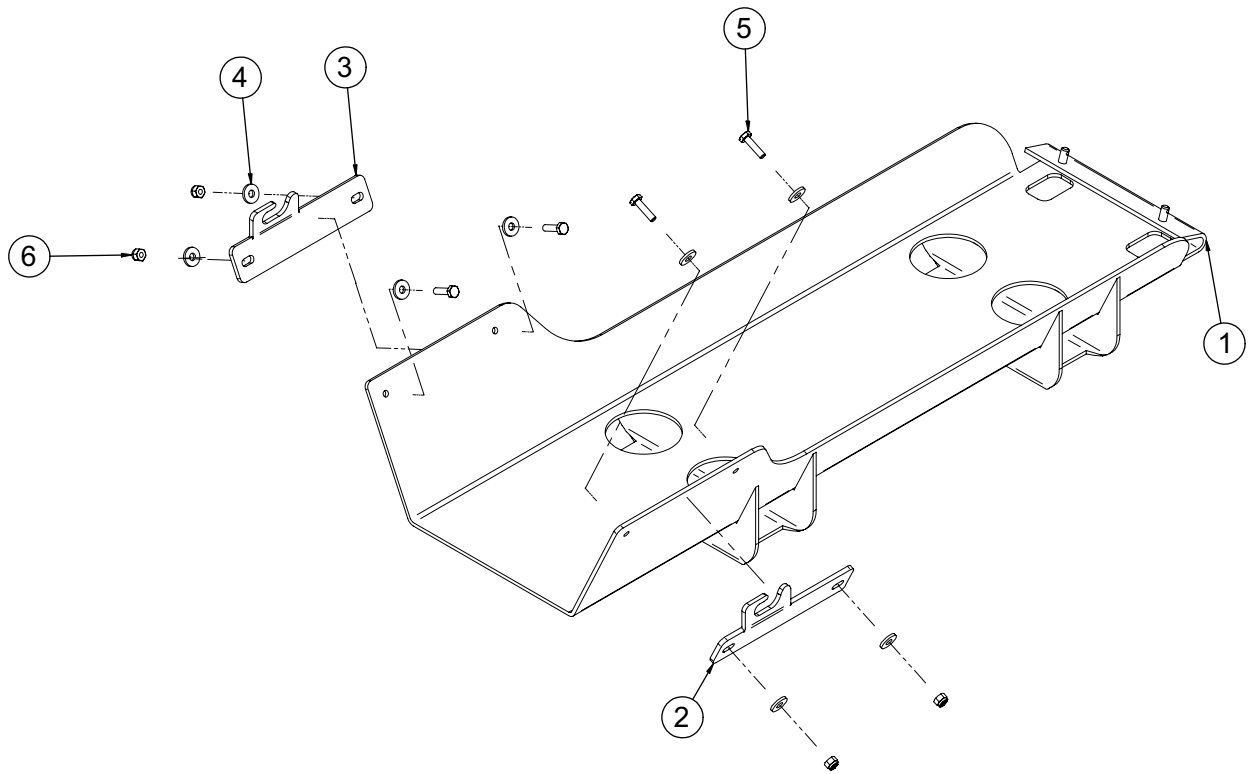


Ref.	Description	p/n
1	Crossmember	16798
2	Link	16829
3	Slider	16824
4	Shaft	16827
5	Pointer	16821
6	Hopper	16454
7	Carriage Bolt	16924
8	Bearing	16828
9	Shoulder Bolt	16833
10	Nylock Nut	50D10
11	Washer	25E10
12	Washer	SS25E17
13	Cap Screw	SS1C0616
14	Nylock Nut	59SD06
15	Mixer	16538

Ref.	Description	p/n
16	Mount Plate (RH)	16481
17	Mount Plate (LH)	16479
18	Extension Shaft	16854
19	Motor Mount	16844
20	Brush Mount	16862
21	Bolt	1C0616
22	Seal	16853
23	Guard	16842
24	Flange Nut	55D06
25	Storage Cradle	16952
26	U-Bolt	16927
27	Flange Head Screw	35C0824
28	Flange Head Nut	89D08
29	Bracket	16848
30*	Collar	16823

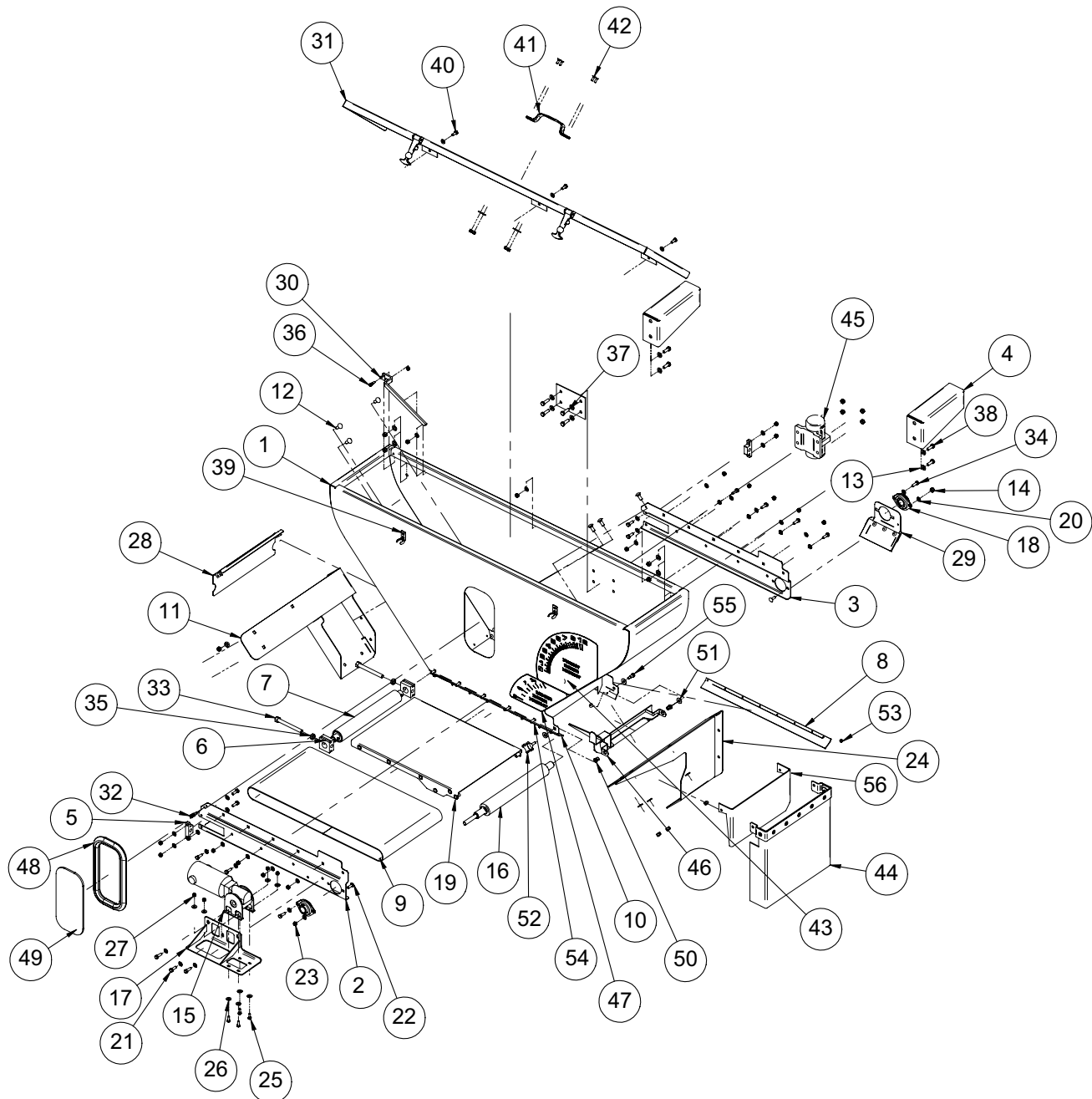
* not illustrated

CRADLE



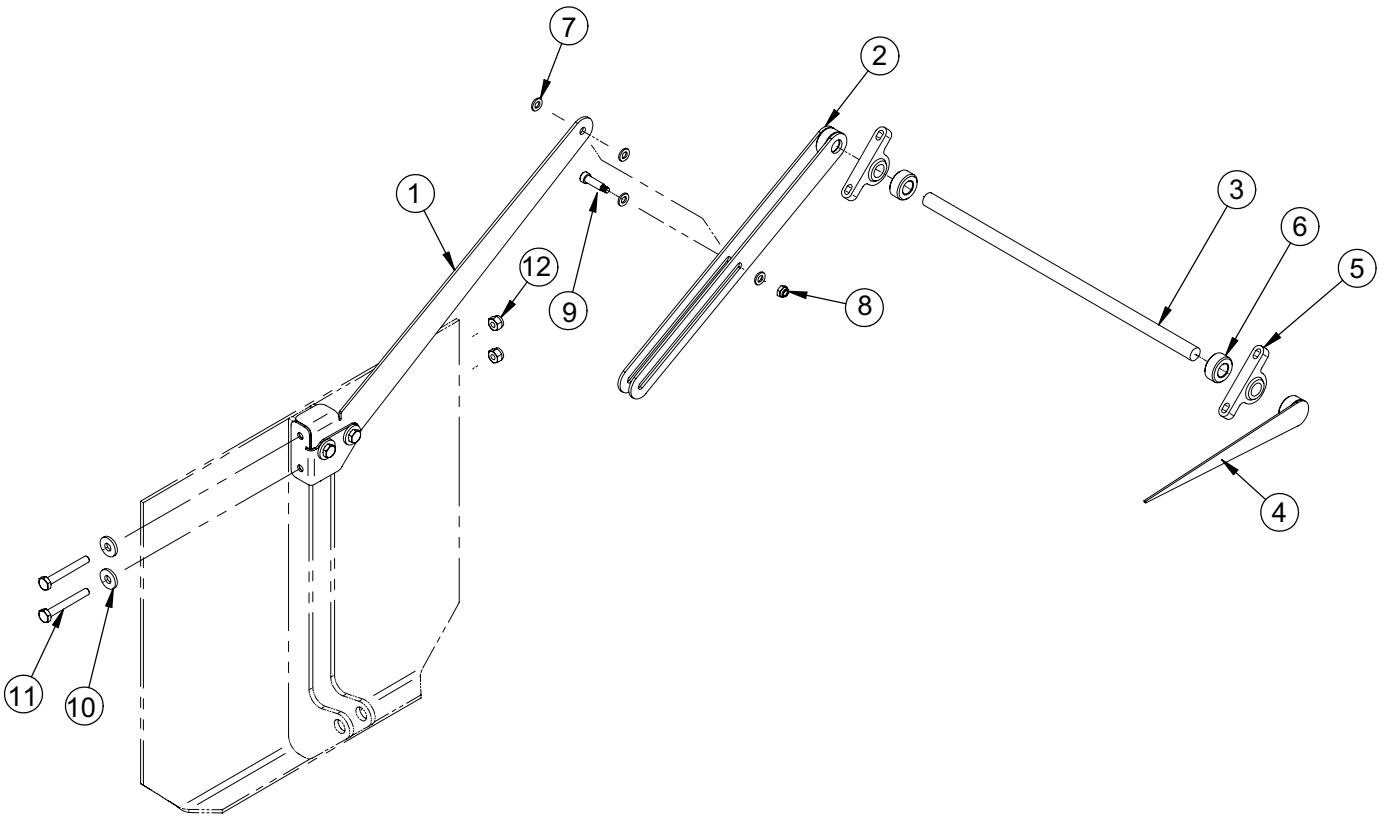
Ref.	Description	p/n
1	Storage Cradle	16887
2	Mounting Plate (LH)	16479
3	Mounting Plate (RH)	16481
4	Washer	SS25E13
5	Cap Screw	SS1C0416
6	Nylock Nut	SS59D04

HOPPER



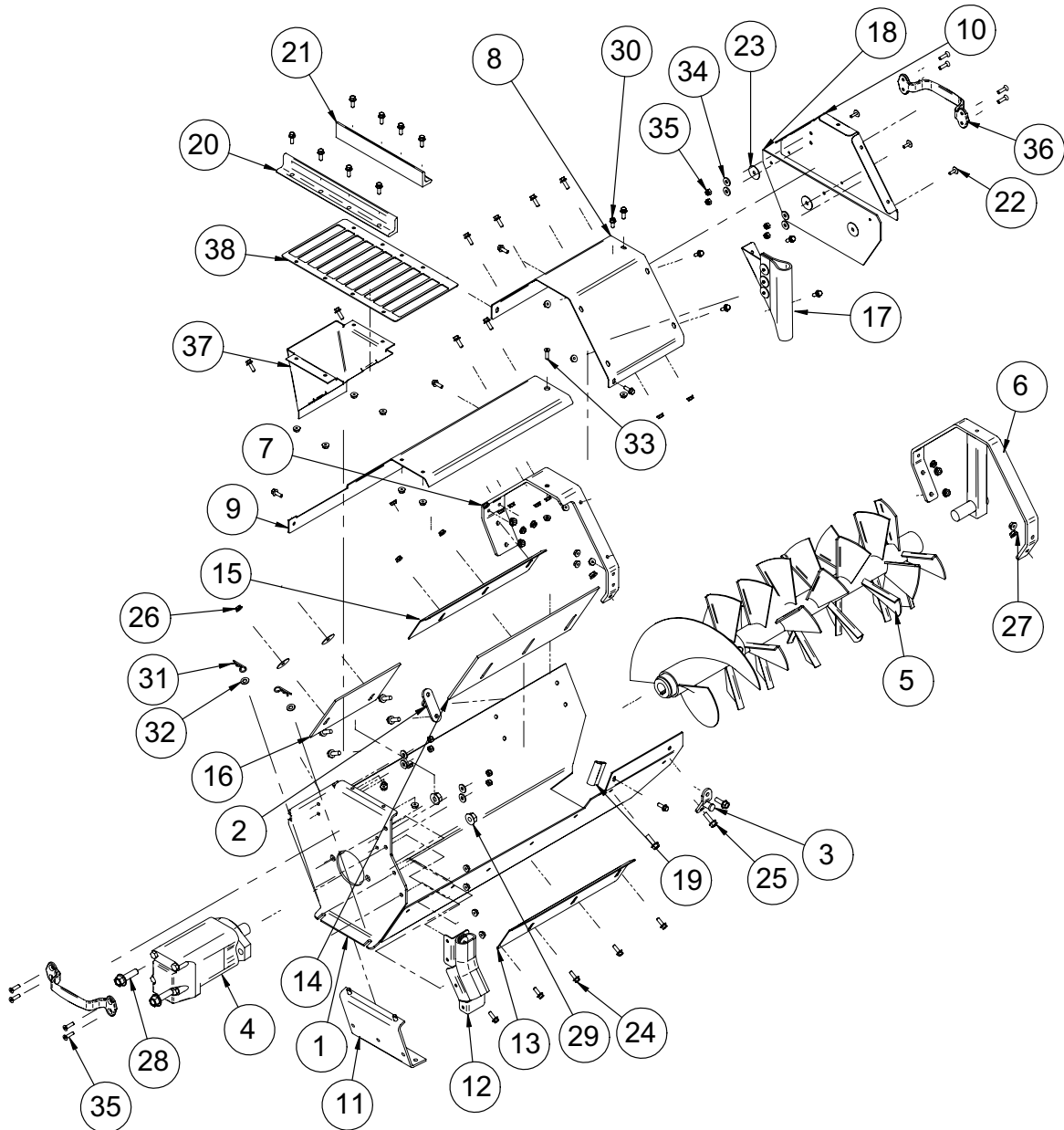
Ref.	Description	p/n	Ref.	Description	p/n	Ref.	Description	p/n
1	Hopper	16652	19	Hopper Pan	16629	38	Bolt	SS1C0616
2	Front Panel	16603	20	Washer	SS25E15	39	Machine Screw	87G0810
3	Rear Panel	16604	21	Cap Screw	SS1C0516	40	Cap Screw	SS1C0512
4	Upper Mount	16542	22	Square Bolt	SS10C0516	41	Handle	10605
5	Adjuster Block	16134	23	Nylock Nut	59D05	42	Countersunk Screw	9G0412
6	Slide Block	16131	24	Hopper Mount (LH)	16635	43	Decal	16832
7	Roller	16638	25	Cap Screw	SS1C0412	44	Chute	16901
8	Side Wiper	16605	26	Washer	SS25E14	45	Vibrator	16902
9	Belt	16600	27	Nylock Nut	SS59D04	46	Door	16917
10	Wiper	16605	28	Guard Roller	16850	47	Decal	16923
11	Lower Diverter	16595	29	Seal	16956	48	Window Seal	16937
12	Carriage Bolt	SS37C0616	30	Lid Support	16813	49	Glass	16936
13	Washer	SS25E17	31	Lid	16810	50	Rivnut	16724
14	Nylock Nut	59SD06	32	Screw	SS84G2512	51	Washer	SS25E16
15	Electric Motor	16602	33	Adjuster Screw	16650	52	Knob	10012
16	Roller	16587	34	Cap Screw	SS1C0516	53	Washer	16939
17	Motor Mount	16609	35	Nut	7D08	54	Rivet	16940
18	Flange Bearing	16646	36	Shoulder Bolt	38C0504	55	Shoulder Bolt	38C0608
			37	Cap Screw	SS1C0620	56	Deflector	16946

INDICATOR



Ref.	Description	p/n
1	Link	16829
2	Slider	16824
3	Shaft	16827
4	Pointer	16821
5	Bearing	16828
6	Collar	16823
7	Washer	16834
8	Nylock Nut	50D10
9	Shoulder Bolt	16833
10	Washer	SS25E13
11	Cap Screw	SS1C0432
12	Nylock Nut	SS59D04

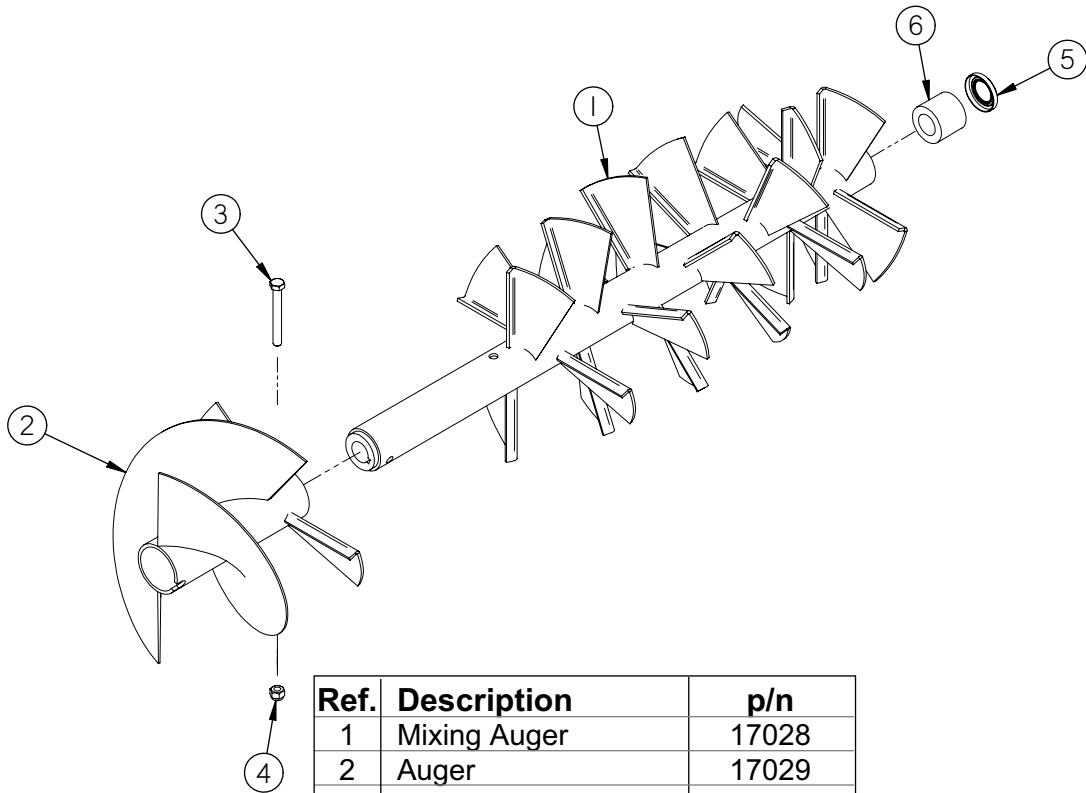
MIXER



Ref.	Description	p/n
1	Mixer Trough	17009
2	Mixer Mount	16480
3	Mixer Mount	16865
4	Motor	16556
5	Mixing Auger	17027
6	Support	16566
7	Strap	16860
8	Cover	16551
9	Cover	17006
10	Plate	16544
11	Bracket	16882
12	Seal	16867
13	Seal Holder	16871
14	Seal	16859
15	Seal Holder	16858
16	Seal	16872
17	Seal	16870
18	Shield	16541
19	Seal	16873

Ref.	Description	p/n
20	Rubber Guard	16874
21	Seal	16875
22	Rivet	10289
23	Fender Washer	14792
24	Flange Head Screw	31C0412
25	Bolt	31C0516
26	Flange Head Nut	55D04
27	Flange Head Nut	55D05
28	Bolt	31C0828
29	Flange Head Nut	55D08
30	Bolt	84G0410
31	Hitch Pin	10301
32	Washer	SS25E15
33	Counter Sunk Screw	SS9G0416
34	Washer	SS25E13
35	Nylock Nut	SS59D04
36	Handle	10605
37	Channel	17005
38	Plate	17011

AUGER



Ref.	Description	p/n
1	Mixing Auger	17028
2	Auger	17029
3	Cap Screw	SS1C0648
4	Nylock Nut	SS59D06
5	Seal	16569
6	Bushing	16570