

DAKOTA™ 410 TURF TENDER (MODEL NUMBER C4154J AND C4155J) ILLUSTRATED PARTS MANUAL



INTRODUCTION

To ensure optimum performance and safety, always purchase genuine **DAKOTA** replacement parts and accessories. NEVER USE “WILL-FIT” REPLACEMENT PARTS AND ACCESSORIES MADE BY OTHER MANUFACTURERS. Using either inappropriate or unapproved replacement parts and accessories may result in progressive damage to the Turf Tender and voids the warranty of the **DAKOTA** Turf Tender.

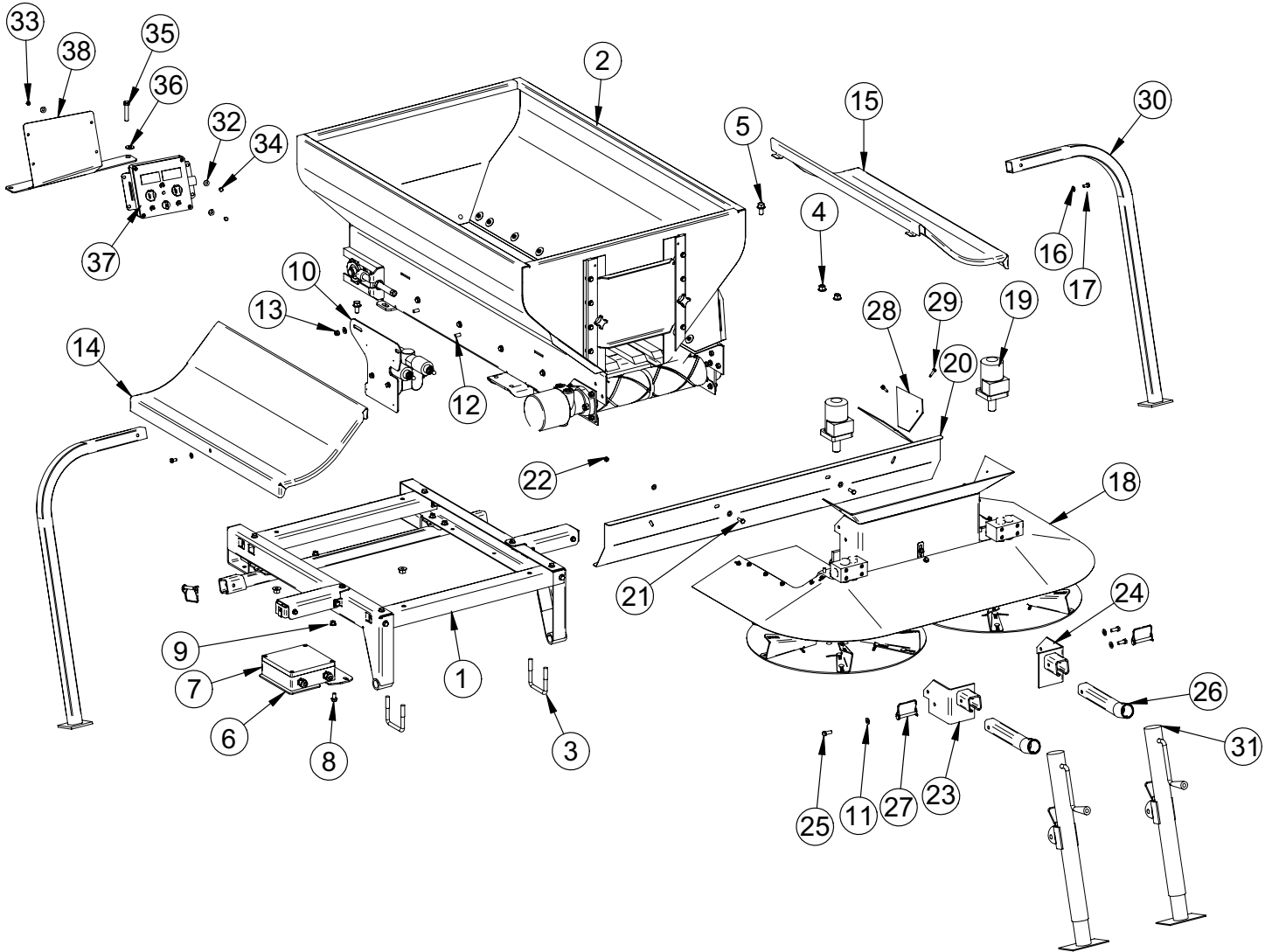
This manual provides a listing to the parts and assemblies that are available as replacement parts. For the most part, common hardware is not listed in this manual. Be sure, however, that when replacement of hardware is necessary, to replace with the same length, diameter, and grade.

The illustrations used in this Parts manual are for reference to replacement parts only. This manual is not to be used for assembly. If in need of replacement parts or in need of a replacement part not called out in this manual, contact an authorized Dakota dealer. To locate a local dealer, go to www.dakotapeat.com.

TABLE OF CONTENTS

Introduction	2
Full Machine	3
Frame Assembly	4
Hopper Assembly	5
Conveyor Pan	6
Rollers	7
Spinner Assembly	8
Spinner	9
Notes	10
Warranty	11

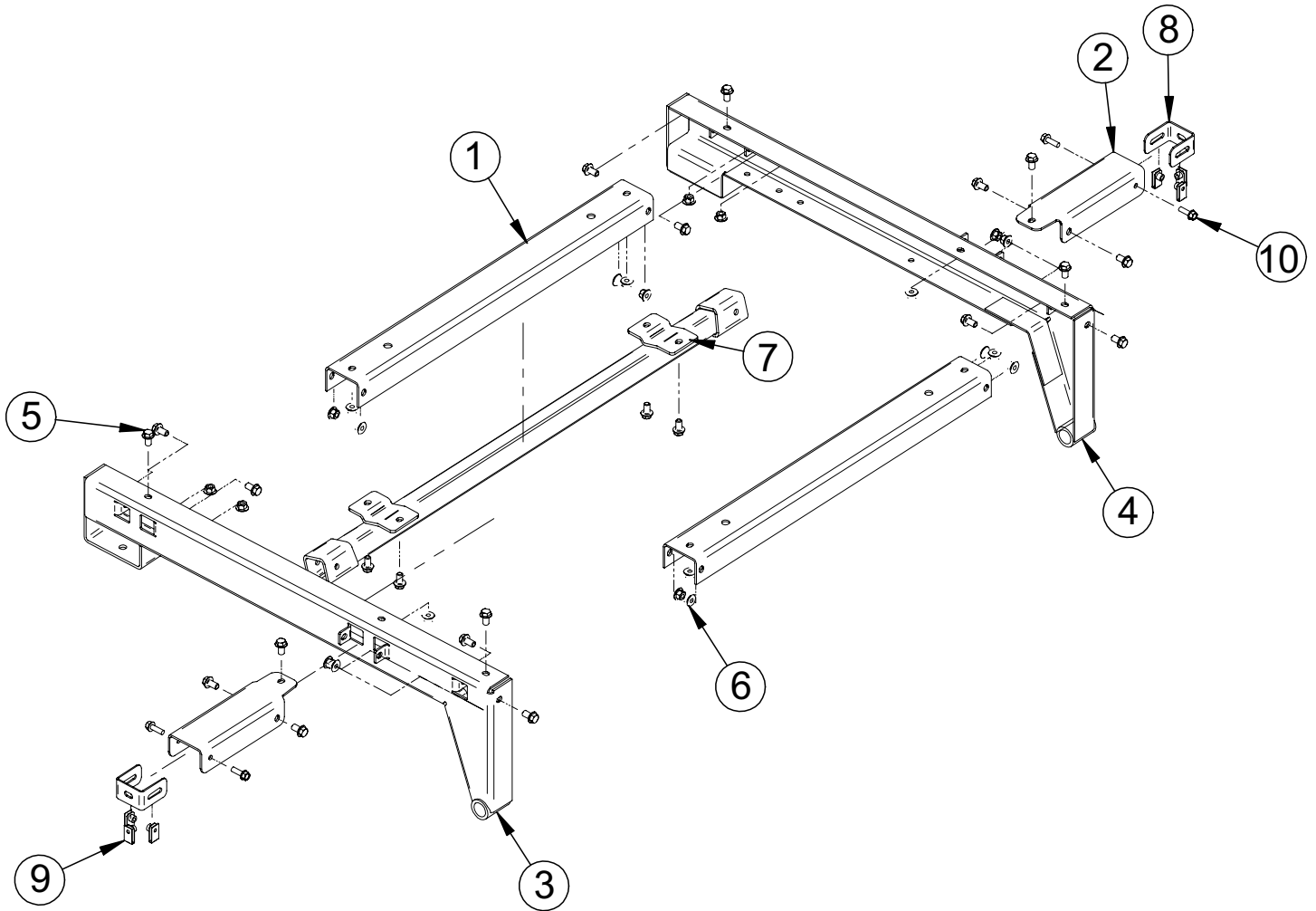
FULL MACHINE



Ref.	Description	p/n
1	Frame	16738
2	Hopper	16744
3	U-Bolt	10189
4	Nut	83d08
5	Flange-Head Screw	31C0816
6	Mounting Bracket	16783
7	Controller	13846
8	Bolt	31C0612
9	Nut	83D06
10	Valve Assembly	16784
11	Washer	SS25E17
12	Cap Screw	SS1C0616
13	Nylock Nut	59SD06
14	Fender (LH)	13805
15	Fender (RH)	13806
16	Washer	SS25E15
17	Cap Screw	SS1C0510
18	Spinner Assembly	13804
19	Hydraulic Motor	10018

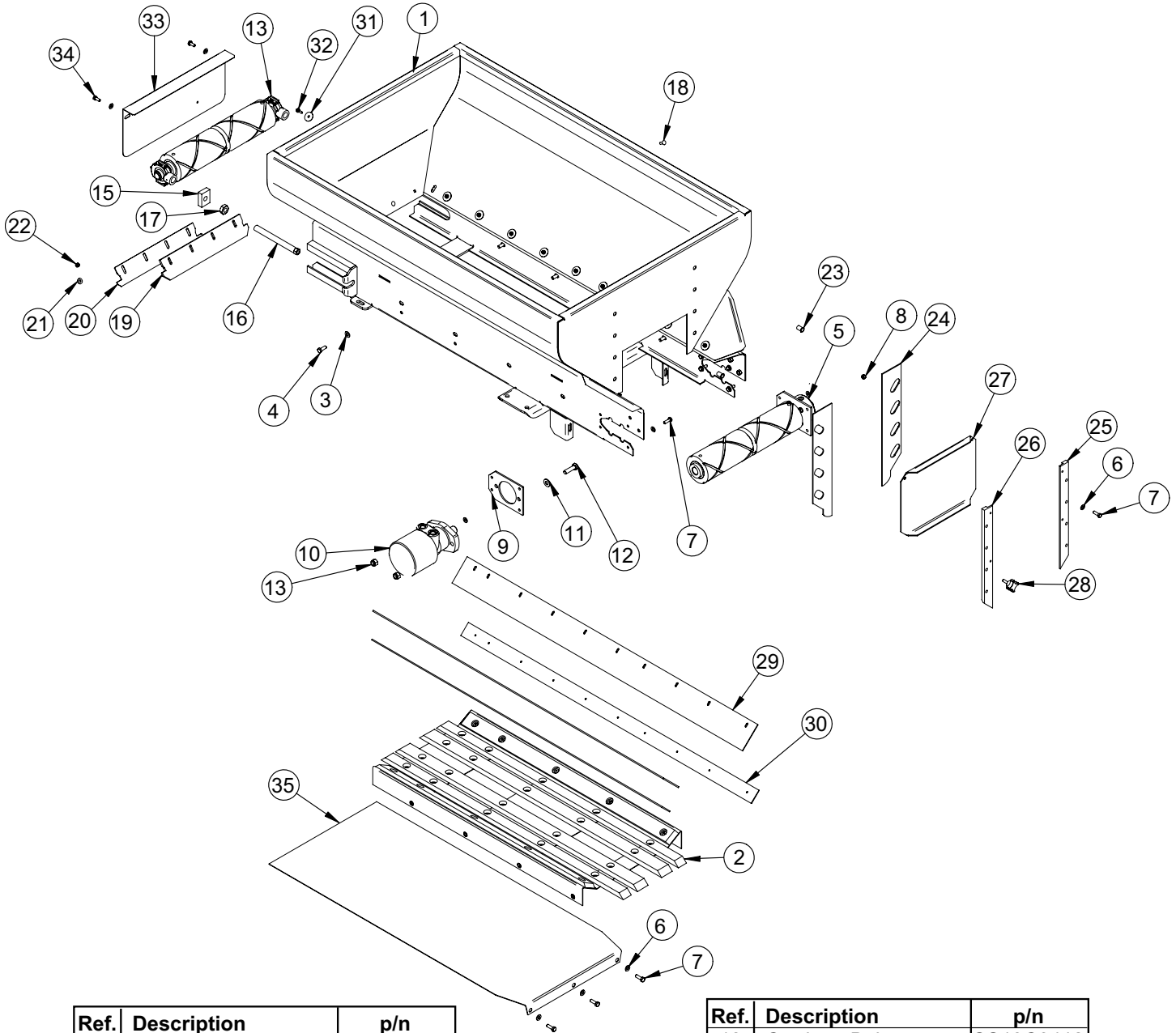
Ref.	Description	p/n
20	Shield	10009
21	Cap Screw	SS1C0516
22	Nylock Nut	59D05
23	Jack Mount (LH)	16763
24	Jack Mount (RH)	16764
25	Cap Screw	17C0616
26	Extension	16766
27	Bail Pin	10900
28	Filler Strip	10374
29	Screw	SS84G2516
30	Jack Stand	16786
31	Jack	12234
32	Washer	SS25E14
33	Nylock Nut	SS59D04
34	Cap Screw	SS1C0416
35	Screw	1CM1260
36	Washer	25E21
37	Control Box	14061
38	Mounting Bracket	16775

FRAME ASSEMBLY



Ref.	Description	p/n
1	Crossmember	16736
2	Fender Mount	16737
3	Frame Rail (LH)	16772
4	Frame Rail (RH)	16773
5	Bolt	31C0612
6	Nut	83D06
7	Jack Mount	16759
8	Bracket	11840
9	Speed Nut	11841
10	Bolt	31C05164

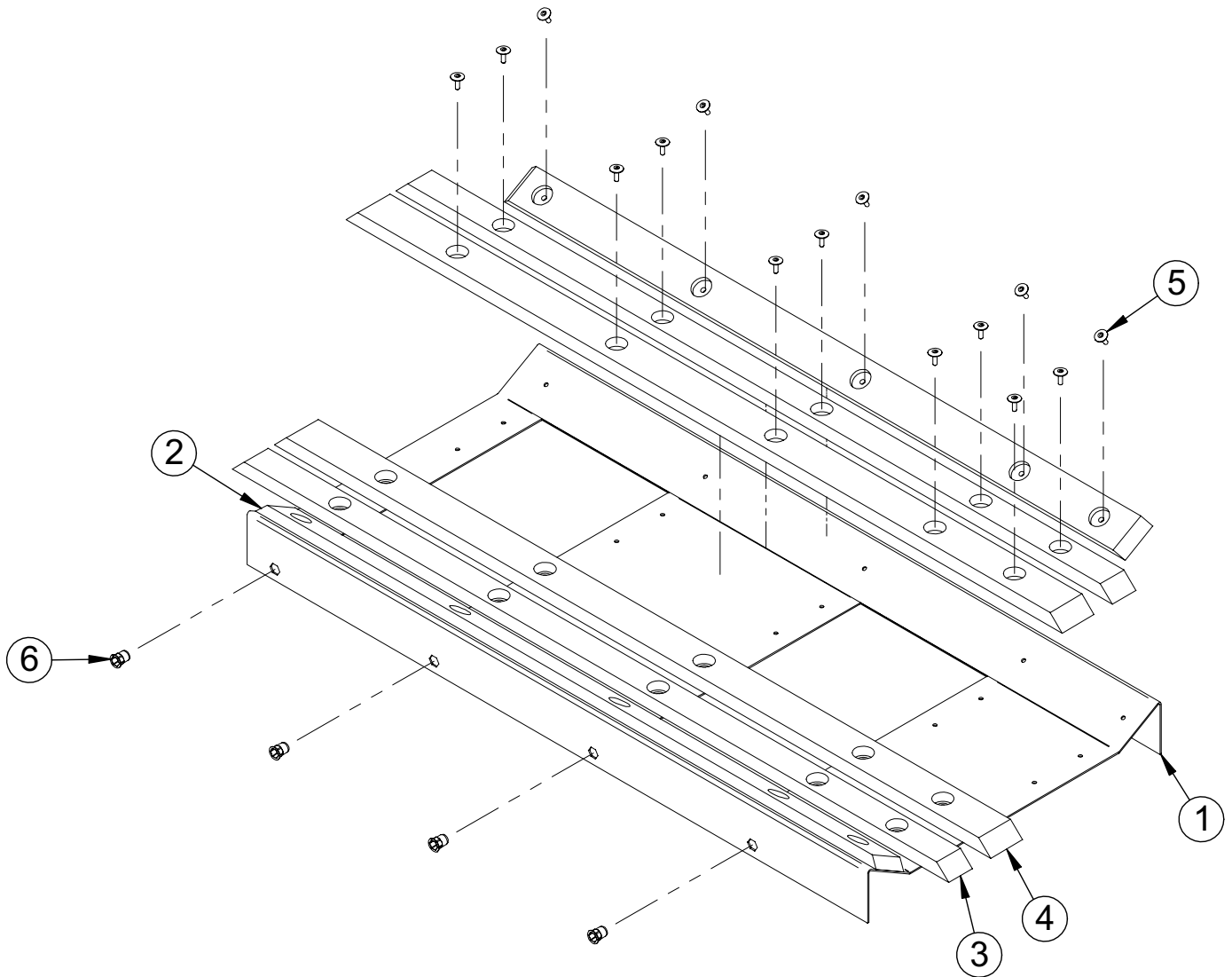
HOPPER ASSEMBLY



Ref.	Description	p/n
1	Hopper	16733
2	Conveyor Pan	16722
3	Washer	SS25E17
4	Cap Screw	SS1C0616
5	Roller Assembly	15709
6	Washer	SS25E15
7	Cap Screw	SS1C0516
8	Nylock Nut	59D05
9	Motor Mount	13769
10	Motor	10201
11	Washer	SS25E21
12	Cap Screw	SS1C0828
13	Nylock Nut	SS59D08
14	Front Roller	13414
15	Nut	10015
16	Adjustment Screw	10016
17	Nut	7D12

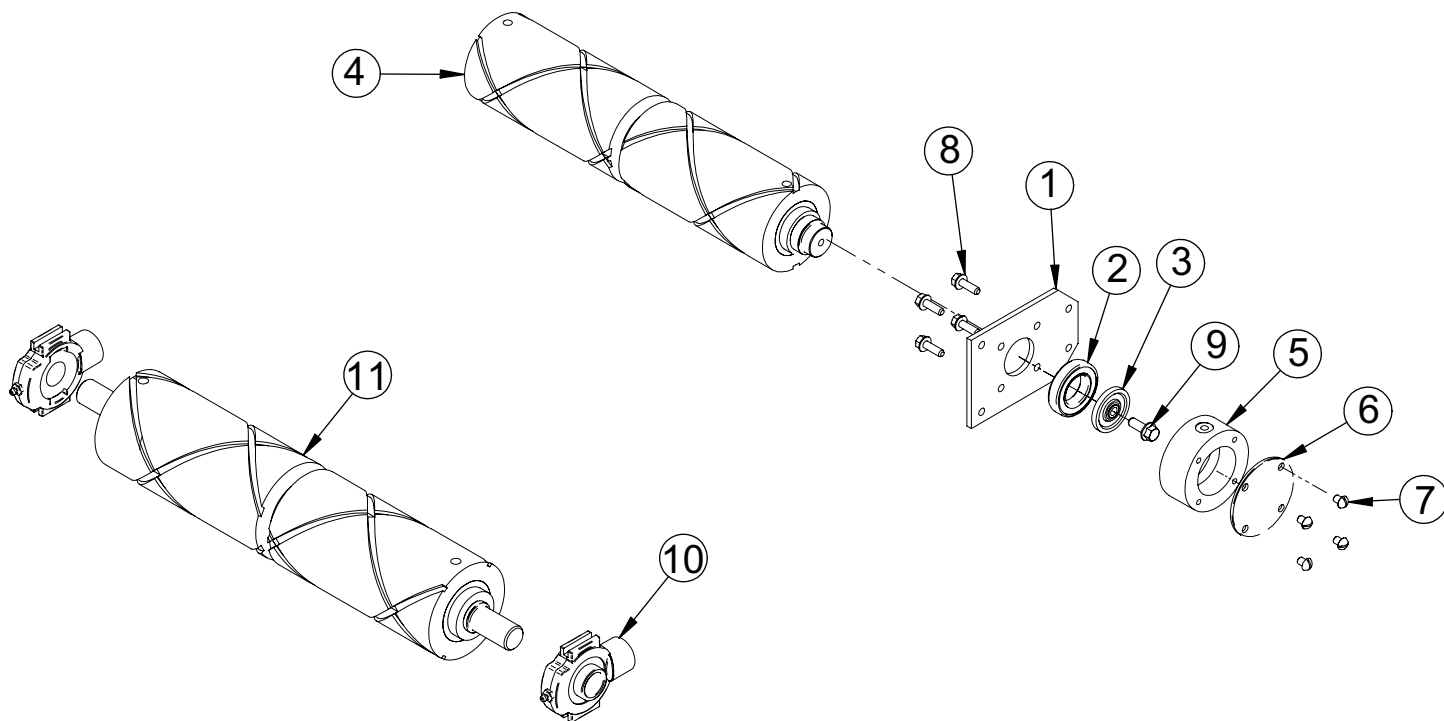
Ref.	Description	p/n
18	Carriage Bolt	SS10C0412
19	Seal	13479
20	Plate	13478
21	Washer	SS25E14
22	Nylock Nut	SS59D04
23	Rivnut	11570
24	Seal	13553
25	Track (RH)	13367
26	Track (LH)	13368
27	Panel	14469
28	Knob	10012
29	Wiper	16746
30	Retainer	16745
31	Washer	14792
32	Screw	SS84G2516
33	Panel	11615
34	Cap Screw	SS1C0512
35	Belly Pan	17075

CONVEYOR PAN



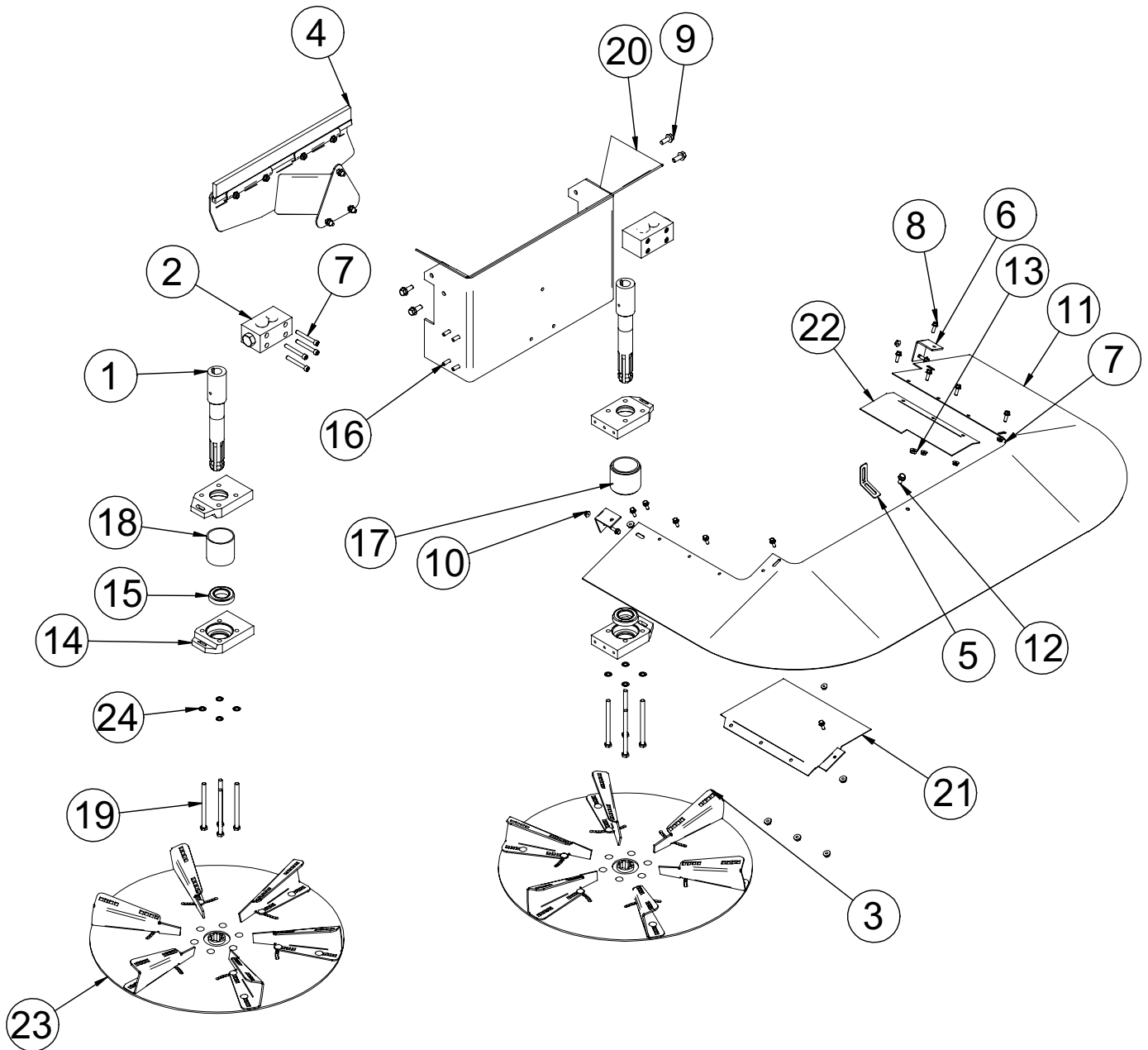
Ref.	Description	p/n
1	Panel	16718
2	Belt Support	16721
3	Belt Support	16720
4	Belt Support	16719
5	Rivet	11683
6	Rivnut	16724

ROLLERS



Ref.	Description	p/n
1	Plate	15708
2	Bearing	13255
3	Magnetic Wheel	14216
4	Rear Roller	15773
5	Cup	13887
6	Cover	13706
7	Screw	14097
8	Flange-Head Screw	35C0516
9	Flange-Head Screw	35C0616
10	Bearing	13035
11	Front Roller	16676

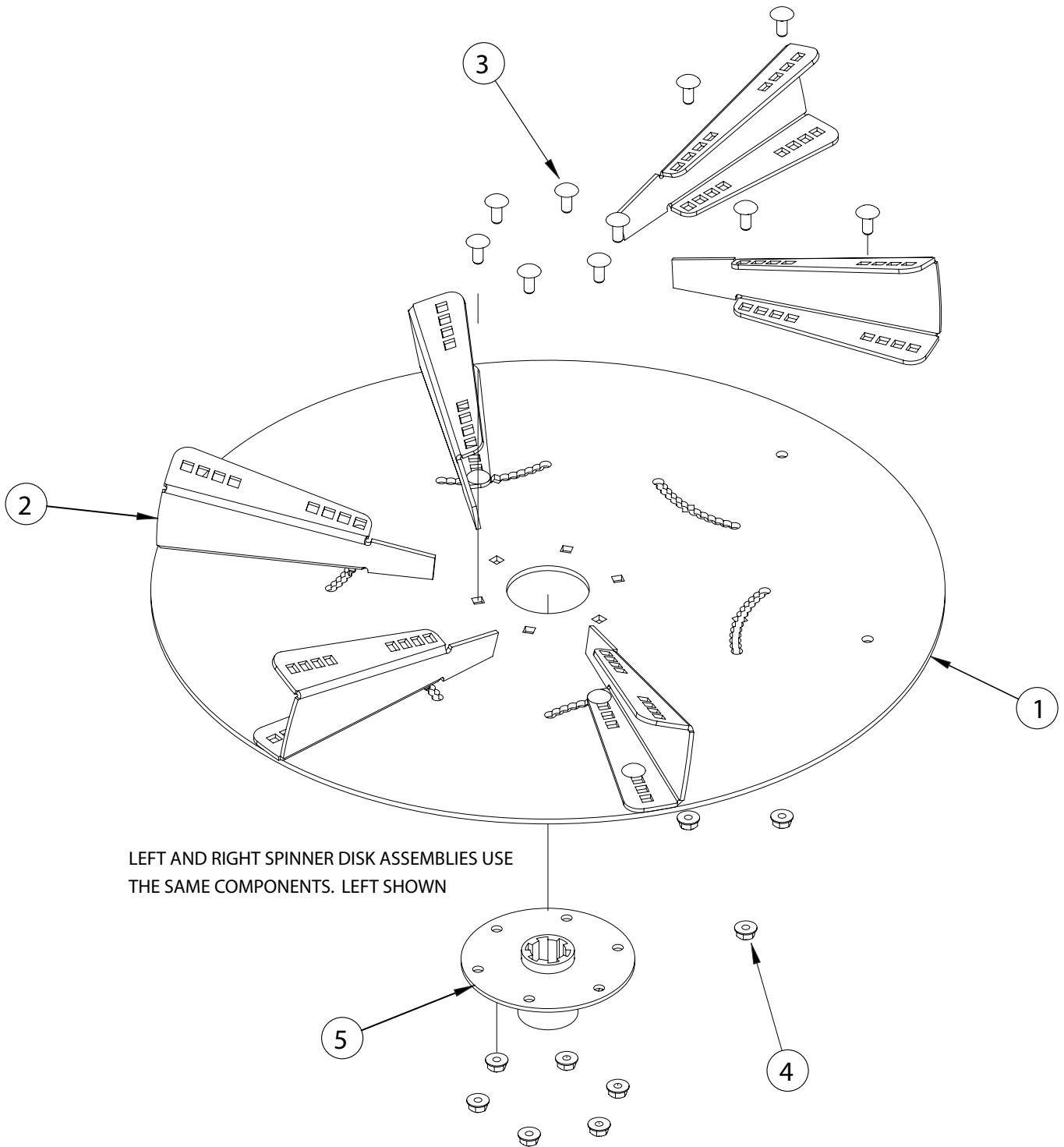
SPINNER ASSEMBLY



Ref.	Description	p/n
1	Shaft	10020
2	Bypass Valve	10019
3	Righthand Disk (White)	12546
4	Brush	11645
5	Brace	12194
6	Angle Support	10379
7	Socket-Head Screw	73G0540
8	Flange-Head Screw	35C0412
9	Flange-Head Screw	35C0616
10	Nut	89D04
11	Shield	14100
12	Flange-Head Screw	35C0512

Ref.	Description	p/n
13	Flange-Head Nut	55D05
14	Holder	13251
15	Bearing	13255
16	Flange-Head Screw	35C0516
17	Tube	13256
18	Tube	16594
19	Cap Screw	17C0680
20	Spinner Chute	13802
21	Plate	14101
22	Plate	10361
23	Lefthand Disk (White)	12545
24	Lock Washer	6E06

SPINNER



Ref.	Description	p/n
1	Spinner Disk	12543
2	Blade, Spinner	12539
3	Bolt, Carrage	10C0512
4	Nut, Flange Head	55D05
5	Hub	13954

NOTES

WARRANTY

DAKOTA PEAT & EQUIPMENT is hereinafter called DAKOTA™.

(A) Warranty.

DAKOTA™ warrants all products manufactured by it to be free from defects in material and manufactured at the time of shipment and for twelve (12) months from date of delivery to customer. DAKOTA™ will furnish to the dealer, without charge, f.o.b. East Grand Forks, Minnesota, replacements for such parts as DAKOTA™ finds to have been defective at the time of shipment; or at DAKOTA™'s option, will make or authorize repairs to such parts, provided that, upon request, such parts are returned, transportation prepaid, to the factory at East Grand Forks, Minnesota.

This warranty shall not apply to any product that has been subjected to misuse, misapplication, neglect (including but not limited to improper maintenance), accident, improper installation, modification (including but not limited to use of unauthorized parts or attachments), adjustment, or repair. Engines, motors, and any accessories furnished with DAKOTA™'s products, but which are not manufactured by DAKOTA™, are not warranted by DAKOTA™ but are sold only with the express warranty, if any, of the manufacturers thereof. **THE FOREGOING IS IN LIEU OF ALL OTHER WARRANTIES, WHETHER EXPRESS OR IMPLIED (INCLUDING THOSE OF MERCHANTABILITY AND FITNESS OF ANY PRODUCT FOR A PARTICULAR PURPOSE), AND OF ANY OTHER OBLIGATION OF LIABILITY ON THE PART OF DAKOTA.**

(B) Limitation of Liability.

It is expressly understood that DAKOTA™'s liability for its products, whether due to breach of warranty, negligence, strict liability, or otherwise, is limited to the furnishing of such replacement parts, and DAKOTA™ will not be liable for any other injury, loss, damage, or expense, whether direct or consequential, including but not limited to loss of use, income, profit, or production, or increased cost of operation, or spoilage of or damage to material, arising in connection with the sale, installation, use, or inability to use, or the repair or replacement of, DAKOTA™'s products.

Any operation expressly prohibited in the operating instructions or manuals furnished with the machine, or any adjustment, or assembly procedure not recommended or authorized in the operating or service instructions shall void such warranty.

(C) Registration.

THIS WARRANTY IS VOID UNLESS YOUR DEALER COMPLETED AND RETURNED A “NEW PRODUCT REGISTRATION AND WARRANTY” CARD TO DAKOTA™ WITHIN 30 DAYS AFTER DELIVERY OF UNIT TO CUSTOMER.

No Parts shall be returned under warranty unless a Return Goods Authorization (RGA) is obtained from DAKOTA™.

ALWAYS GIVE PART NAME, NUMBER AND MACHINE SERIAL NUMBER WHEN ORDERING PARTS.

NOTE: DAKOTA reserves the right to make changes to design or construction without obligation to incorporate such changes in equipment previously sold.

The tire manufacturer's warranty supplied with your Turf Tender may not apply outside the U.S.

YOUR DEALER IS RESPONSIBLE FOR COMPLETION OF THE PRODUCT REGISTRATION CARD AND RETURNING IT TO DAKOTA AS SOON AS YOU TAKE DELIVERY OF YOUR TURF TENDER.

D) Parts, Service, and Warranty

Contact your local dealer for parts, service, and warranty.

.....
Warranty will be denied if the registration
and warranty card is not sent in within 30
days after delivery.
.....