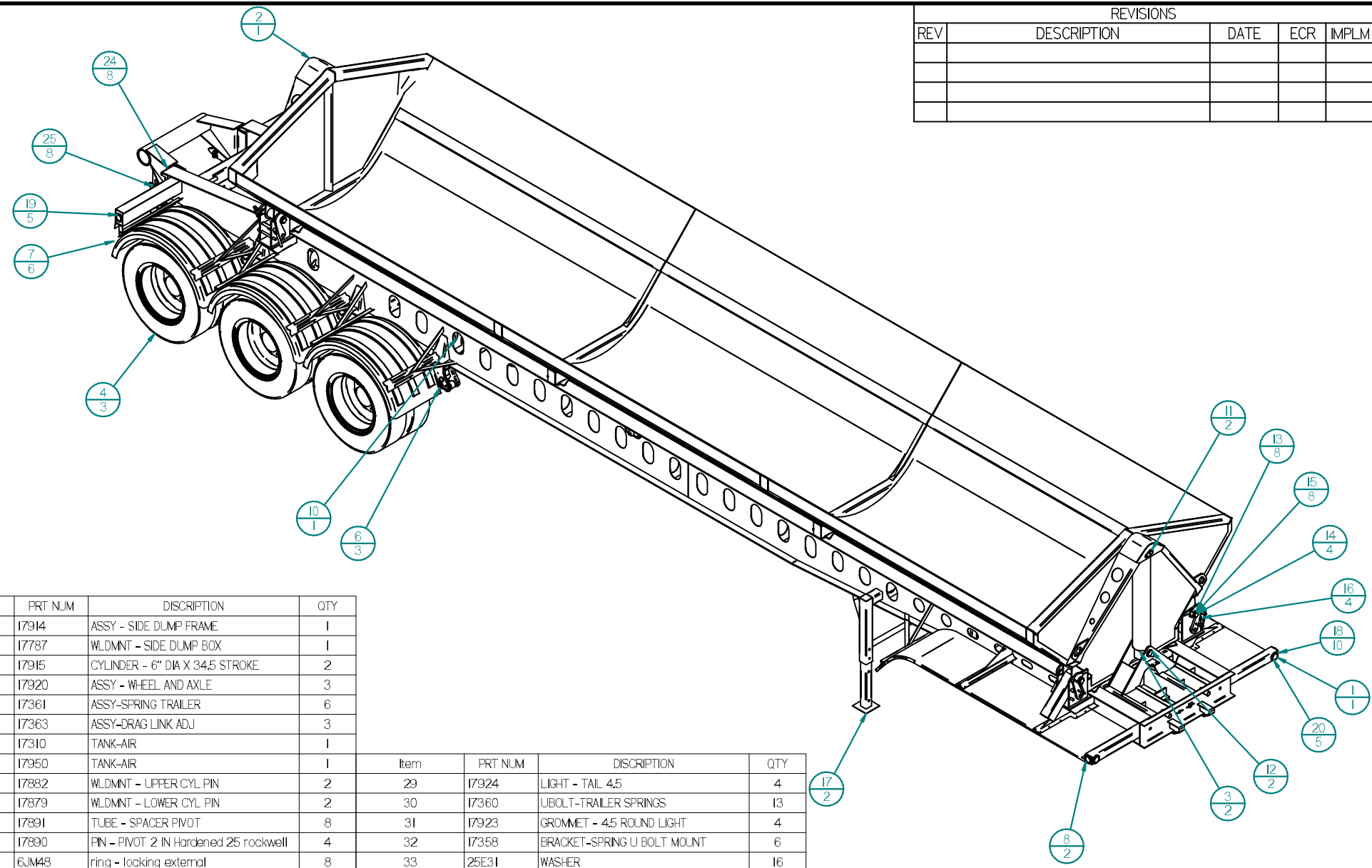


REVISIONS				
REV	DESCRIPTION	DATE	ECR	IMPLM

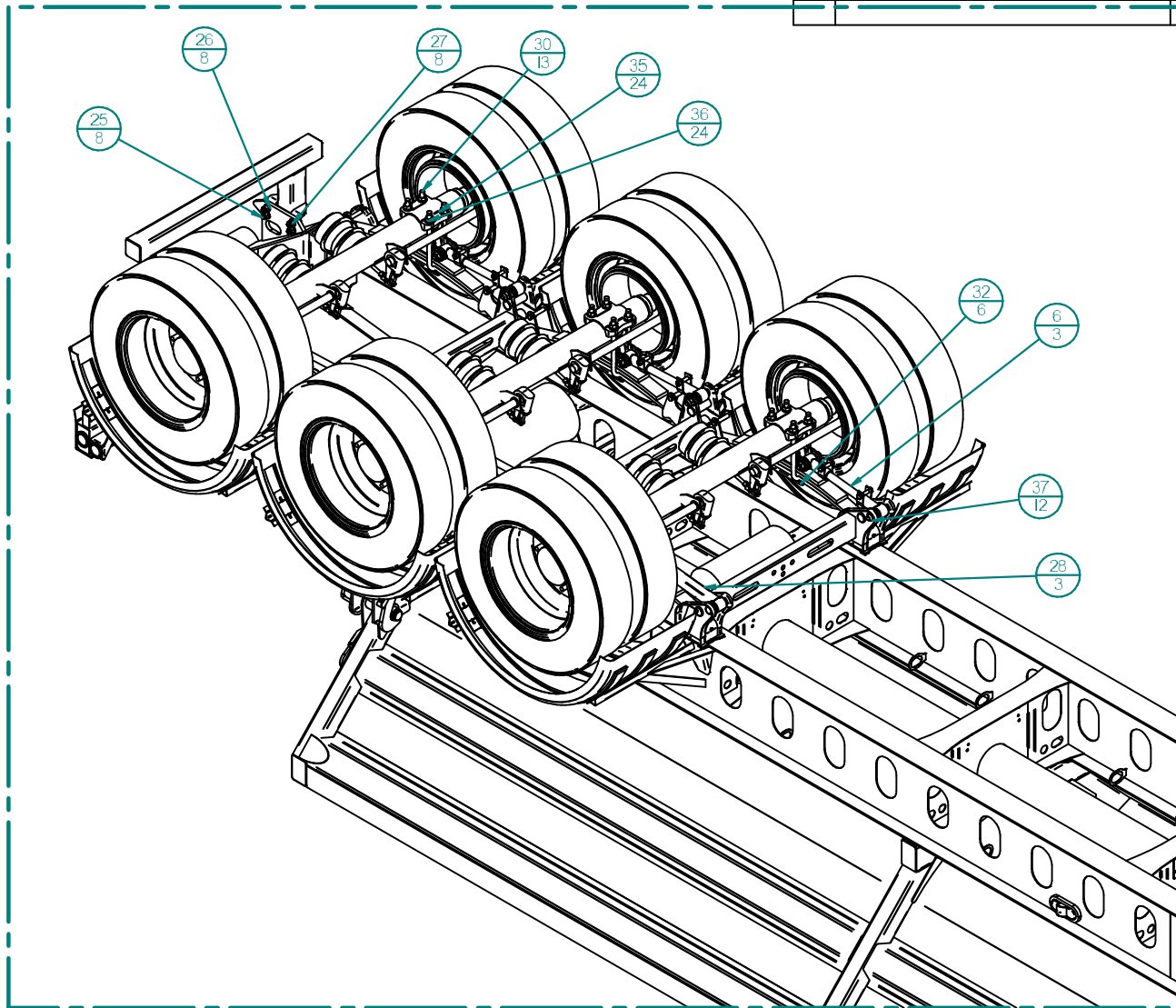


Item	PRT NUM	DISCRIPTION	QTY
1	17914	ASSY - SIDE DUMP FRAME	1
2	17787	WLDMNT - SIDE DUMP BOX	1
3	17915	CYLINDER - 6" DIA X 34.5 STROKE	2
4	17920	ASSY - WHEEL AND AXLE	3
5	17361	ASSY-SPRING TRAILER	6
6	17363	ASSY-DRAG LINK ADJ	3
9	17310	TANK-AIR	1
10	17950	TANK-AIR	1
11	17882	WLDMNT - UPPER CYL PIN	2
12	17879	WLDMNT - LOWER CYL PIN	2
13	17891	TUBE - SPACER PIVOT	8
14	17890	PIN - PIVOT 2 IN Hardened 25 rockwell	4
15	6JM48	ring - locking external	8
16	17894	WLDMNT - LOCK HANDLE	4
17	17897	WLDMNT - DROP LEG	2
18	17349	GROMMET - 2.5 ROUND	10
19	17350	LIGHT - MARKER ROUND LED RED	5
20	17352	LIGHT - MARKER 2.5 ROUND AMBER	5
21	14112	GROMMET - LED TAIL LIGHT	2
22	17351	LIGHT - MARKER / TURN AMBER OVAL	2
23	1C1680	SCREW - CAP HEX	8
24	17C1648	SCREW - CAP HEX	8
25	SS1C12	MASTER SS1C12	8
26	25E27	WASHER	8
27	59D12	NUT - NYLOCK	8
28	17364	LINK-TORQUE RIGID	3

Item	PRT NUM	DISCRIPTION	QTY
29	17924	LIGHT - TAIL 4.5	4
30	17360	UBOLT-TRAILER SPRINGS	13
31	17923	GROMMET - 4.5 ROUND LIGHT	4
32	17358	BRACKET-SPRING U BOLT MOUNT	6
33	25E31	WASHER	16
34	59D16	NUT - 1.00 NC NYLOCK	8
35	28E14	WASHER-FLAT	24
36	64D14	NUT - GR 8 .875 - 14	24
37	90D16	NUT - FLANGE HEAD I-14	12
38	1C1696	BOLT- 1.00 NC X 6 GR 5	4
39			6
40	17922	FENDER - FRONT	1
41	18622	fender - front left side dump	1
42			1
43	18623		1
44	18621	bushing - side dump tub pivot	8
45	18624	BACKER - FENDER	36
46			1

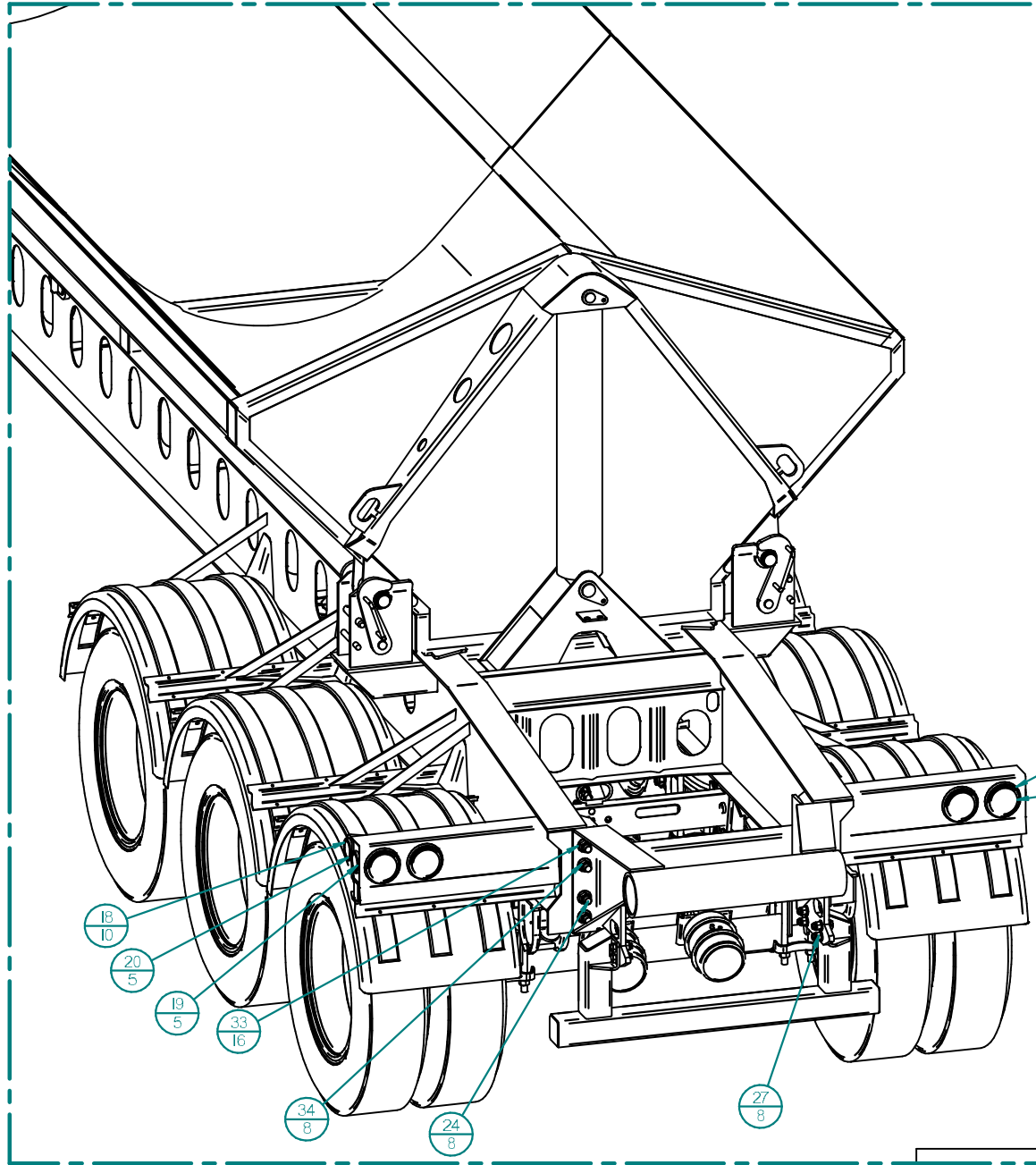
HAWKES MFG. INC.		MATERIAL:	
THIS DOCUMENT CONTAINS CONFIDENTIAL AND PROPRIETARY INFORMATION OF HAWKES MFG INC. AND IS NOT TO BE REPRODUCED OR THE INFORMATION CONTAINED THEREIN DISCLOSED TO OTHERS WITHOUT THE CONSENT, IN WRITING FROM HAWKES MFG, INC.		20402.737 lbm	
DRAWN 20 JAN 10 SDG		DWG. NAME: ASSY - SIDE DUMP TRAILER	
ANSI		DWG. NO: 17913	
SHEET: 1 OF 5		TOLERANCE: .XX = 0.1, .XXX = 0.03, .XXXX = 0.010	

REVISIONS				
REV	DESCRIPTION	DATE	ECR	IMPLM



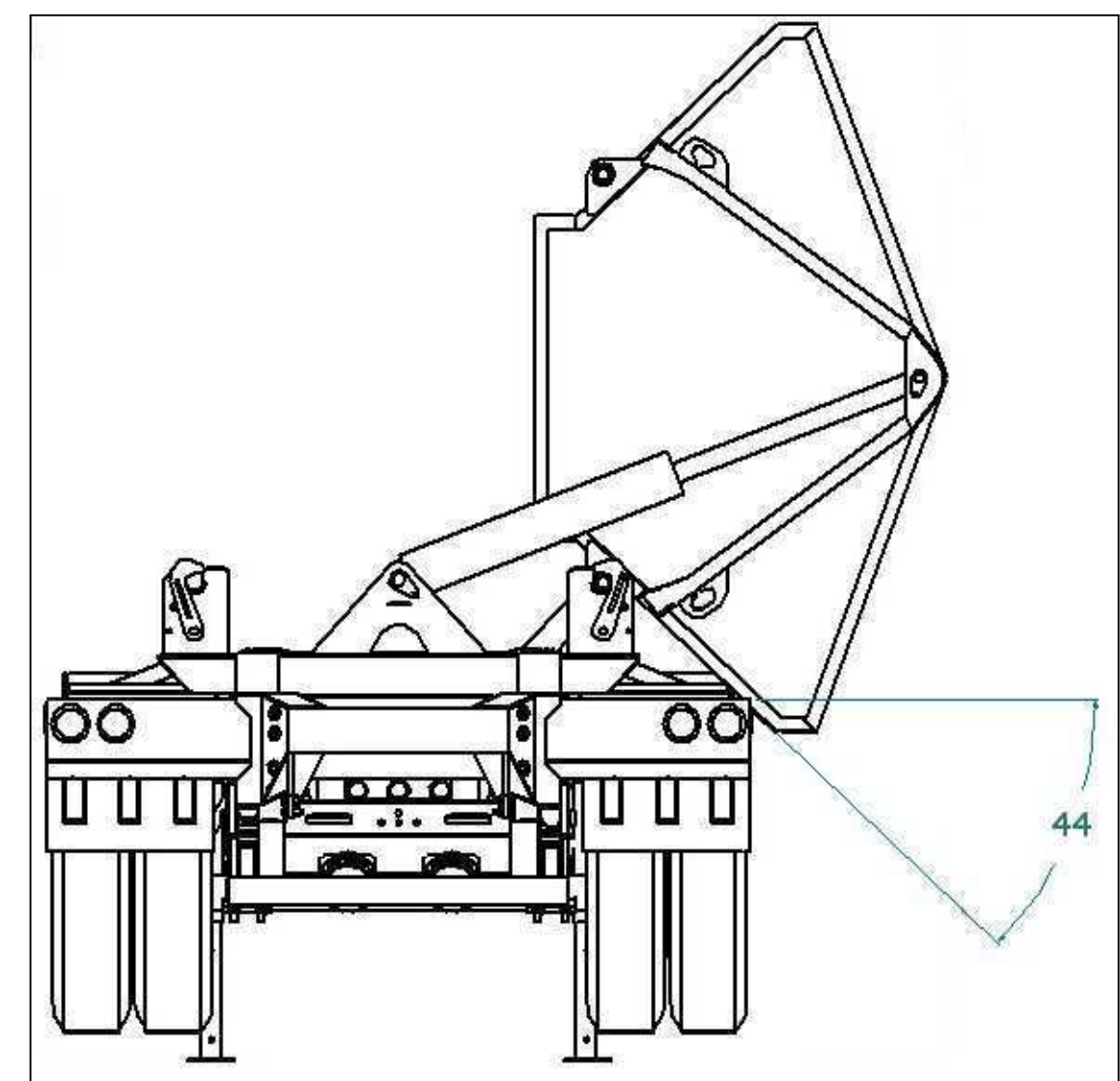
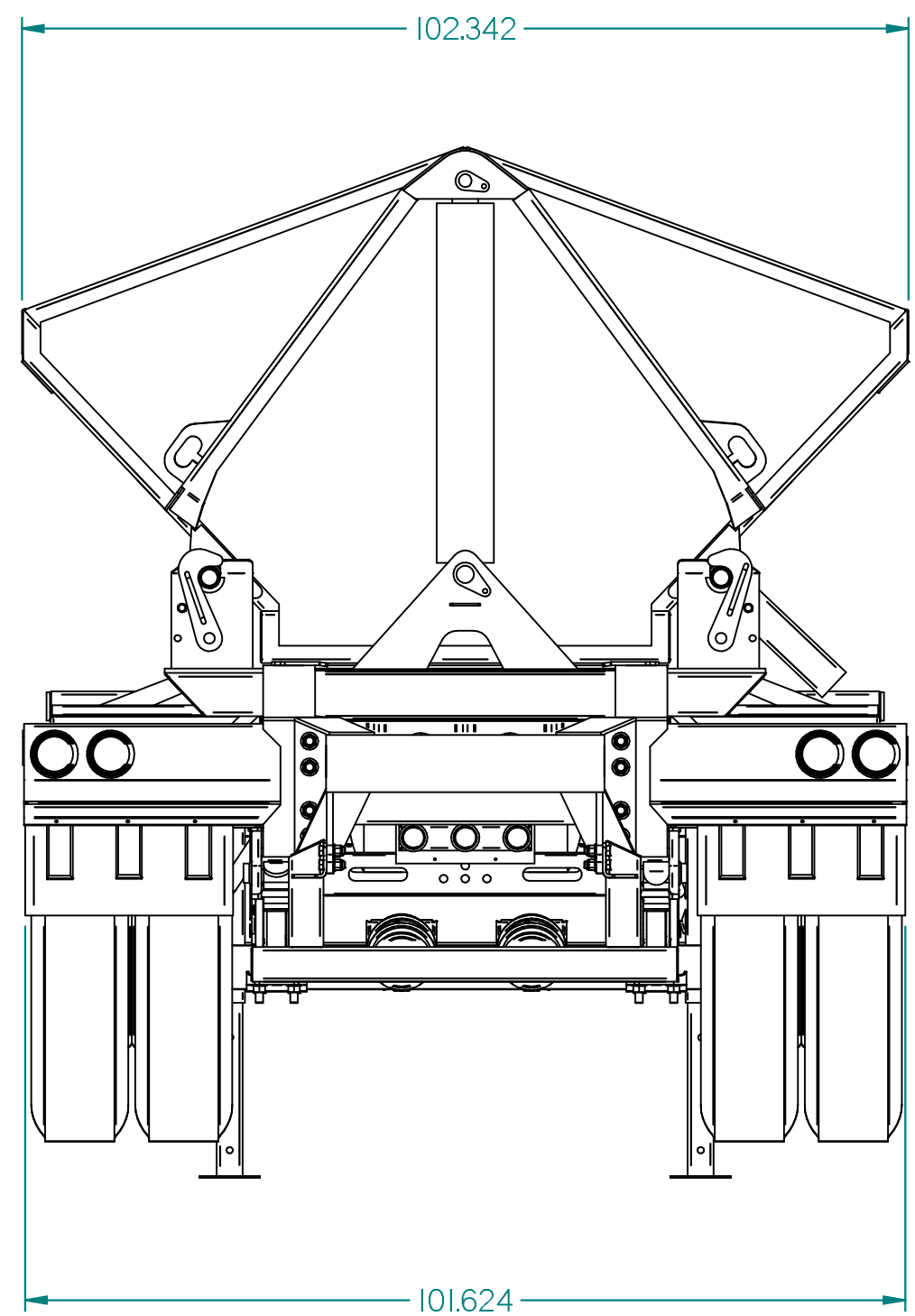
HAWKES MFG. INC.			MATERIAL:	
<small>THIS DOCUMENT CONTAINS CONFIDENTIAL AND PROPRIETARY INFORMATION OF HAWKES MFG. INC. AND IS NOT TO BE REPRODUCED OR THE INFORMATION CONTAINED THEREIN DISCLOSED TO OTHERS WITHOUT THE CONSENT, IN WRITING FROM HAWKES MFG. INC.</small>			20402.737 lbm	
			DWG. NAME: ASSY - SIDE DUMP TRAILER	
DRAWN	20 JAN 10	SDG	SIZE	REV
ANSI			A	0
SHEET: 2 OF 5			DWG. NO: 17913	
TOLERANCE: .XX = 0.1, .XXX = 0.03, .XXXX = 0.010				

REVISIONS				
REV	DESCRIPTION	DATE	ECR	IMPLM



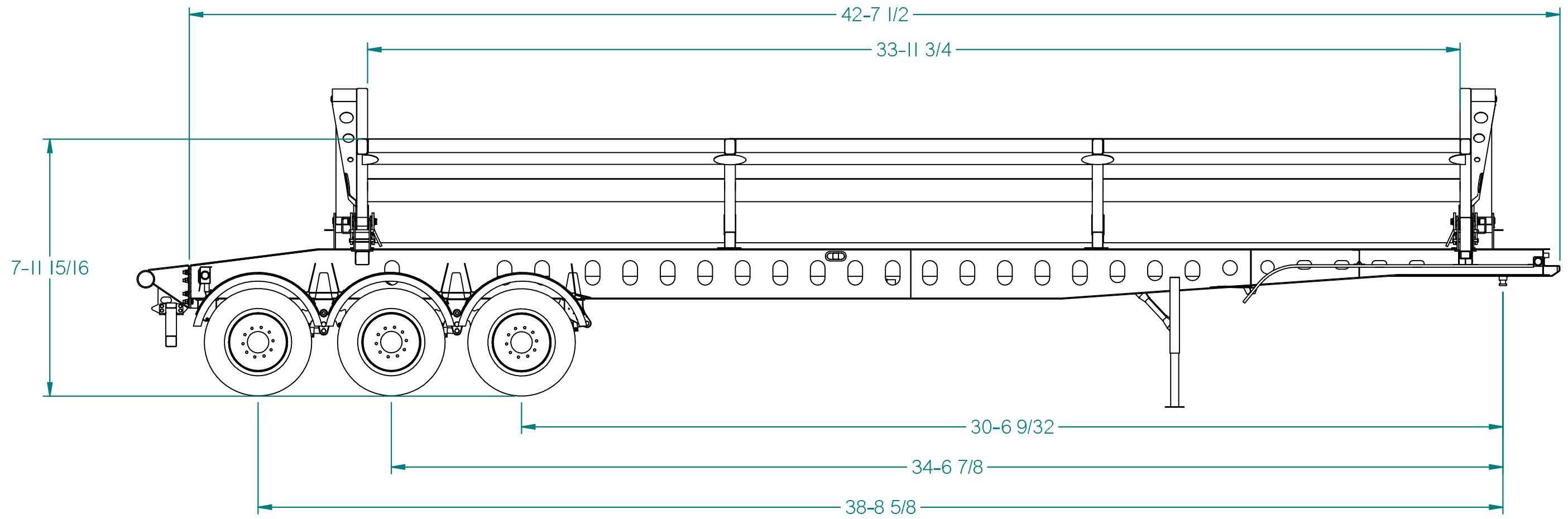
HAWKES MFG. INC.		MATERIAL:	
<small>THIS DOCUMENT CONTAINS CONFIDENTIAL AND PROPRIETARY INFORMATION OF HAWKES MFG. INC. AND IS NOT TO BE REPRODUCED OR THE INFORMATION CONTAINED THEREIN DISCLOSED TO OTHERS WITHOUT THE CONSENT, IN WRITING FROM HAWKES MFG. INC.</small>		20402.737 lbm	
		DWG. NAME: ASSY - SIDE DUMP TRAILER	
DRAWN	20 JAN 10	SDG	REV
ANSI			0
SHEET: 3 OF 5		TOLERANCE: .XX = 0.1, .XXX = 0.03, .XXXX = 0.010	

REVISIONS				
REV	DESCRIPTION	DATE	ECR	IMPLM



HAWKES MFG. INC.			MATERIAL:	
<small>THIS DOCUMENT CONTAINS CONFIDENTIAL AND PROPRIETARY INFORMATION OF HAWKES MFG. INC. AND IS NOT TO BE REPRODUCED OR THE INFORMATION CONTAINED THEREIN DISCLOSED TO OTHERS WITHOUT THE CONSENT, IN WRITING FROM HAWKES MFG. INC.</small>			20402.737 lbm	
			DWG. NAME: ASSY - SIDE DUMP TRAILER	
DRAWN	20 JAN 10	SDG	SIZE	REV
ANSI			A	0
SHEET: 4 OF 5			DWG. NO.: 17913	
TOLERANCE: XX = 0.1, XXX = 0.03, XXXX = 0.010				

REVISIONS				
REV	DESCRIPTION	DATE	ECR	IMPLM



HAWKES MFG. INC.			MATERIAL:	
<small>THIS DOCUMENT CONTAINS CONFIDENTIAL AND PROPRIETARY INFORMATION OF HAWKES MFG. INC. AND IS NOT TO BE REPRODUCED OR THE INFORMATION CONTAINED THEREIN DISCLOSED TO OTHERS WITHOUT THE CONSENT, IN WRITING FROM HAWKES MFG. INC.</small>			20402.737 lbm	
			DWG. NAME: ASSY - SIDE DUMP TRAILER	
DRAWN	20 JAN 10	SDG	SIZE	REV
ANSI			A	0
SHEET: 5 OF 5			DWG. NO.: 17913	
TOLERANCE: XX = 0.1, XXX = 0.03, XXXX = 0.010				